

## Studded Power Block, Feed Thru

# ST722EM6XX (End Mount)

Replace "XX" with 01 through 06 for number of poles

### Wire Range

- 2/0 - #8 AWG with listed terminals
- Wires #2 and larger may require narrow lugs

### Electrical Ratings

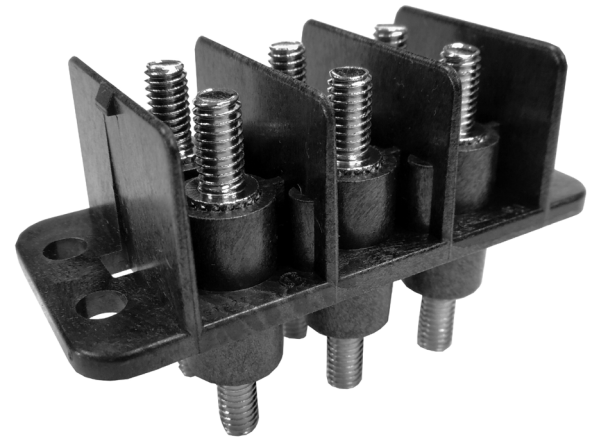
- 175A Dual Hole Lug
- 115A Single Hole Lug
- Based on NEC Code, 75°C Wire
- 300 Volts AC/DC (UL 1059 Class B – Commercial Appliances and Class C - General Industrial)
- Short Circuit Current Rated for 10,000 Amps.
- Factory and Field Wiring

### Agency Compliance

- UL Recognized, UL 1059 Terminal Block Standard, File No. XCFR2.E62806
- CSA Certified, CSA C22.2 No. 158, File No. LR19766
- CE compliant to IEC 60947-7-1
- RoHS Compliant

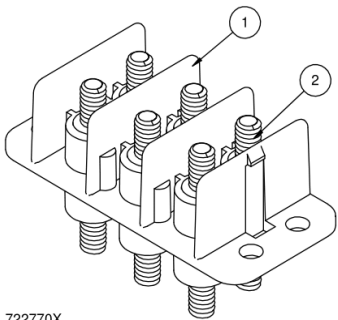
### Material Information

- Studs: M6: Brass, Nickel plated
- Insulator base: Glass-filled polycarbonate (Thermoplastic)
- Maximum insulator base temperature: 125°C (257°F) UL RTI
- Storage and transportation temperature range: -40°C to 125°C (257°F)
- Flammability rating of insulator base: UL 94 V-0
  - Use outside these ratings to be evaluated in the end-use application.
- Application Torque: 50 in-lbs
- Panel Mountable: #10 fastener, mounting torque to be determined in end use application not to exceed 30 lb-in

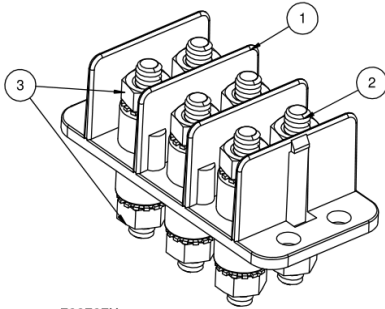


Mounting Screws Included

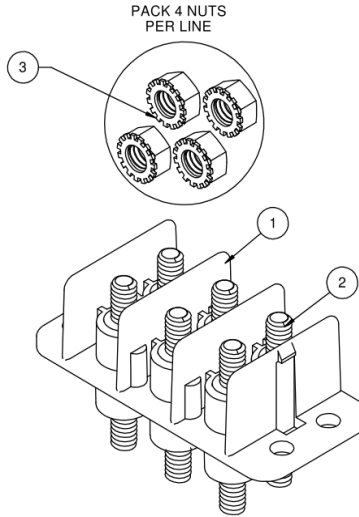
## Hardware Options



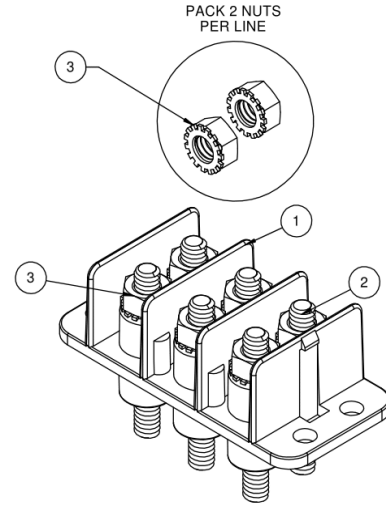
722770X  
ST722EM6XX  
1. NO HARDWARE INCLUDED



722727X  
ST722EM6XXAH  
1. (4) NUTS PER LINE  
ASSEMBLED



722774X  
ST722EM6XXUH  
1. (4) NUTS PER LINE PACKED  
LOOSE

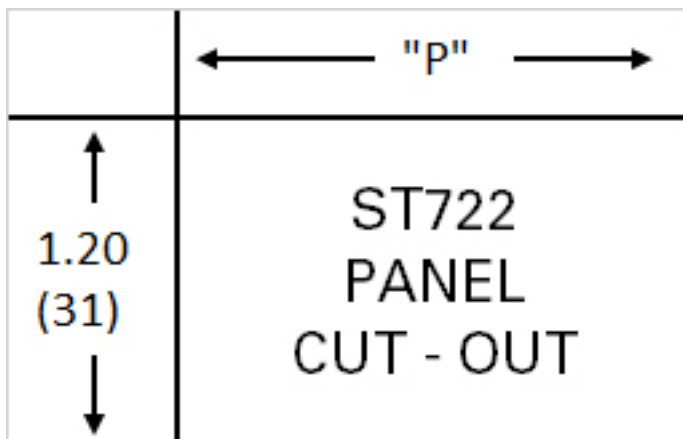


722776X  
ST722EM6XXDL  
1. (2) NUTS PER LINE ASSEMBLED  
BARRIERS SIDE  
2. (2) NUTS PER LINE PACKED  
LOOSE BOTTOM SIDE

## Accessories

- Cover: order C722XX (XX = line length 1 through 6)

Mounting Cutout:

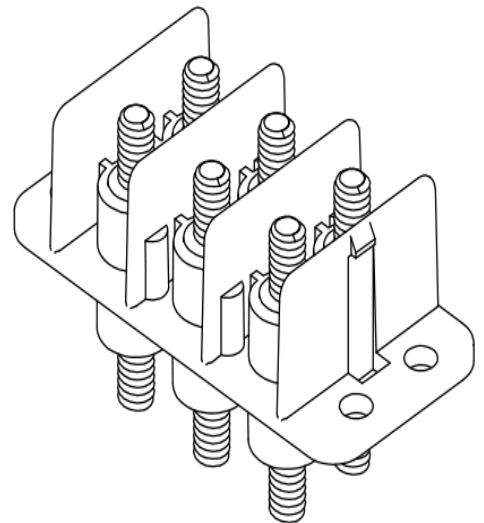
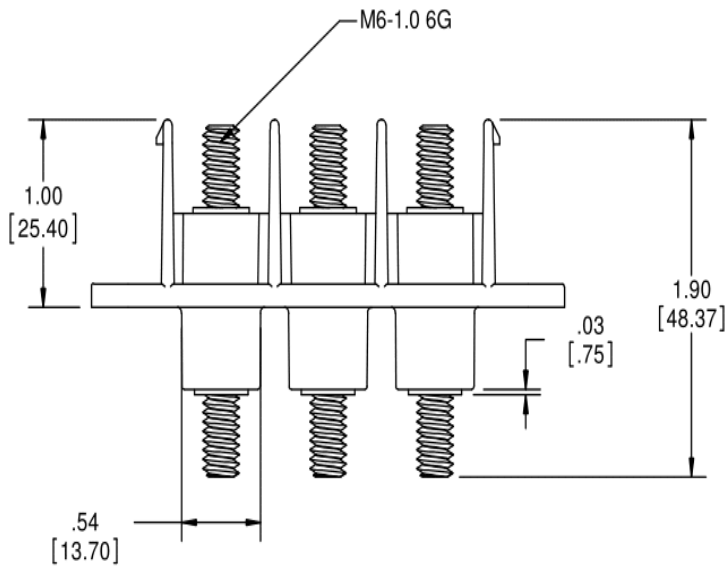
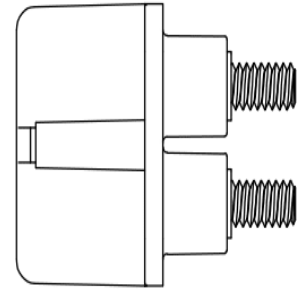
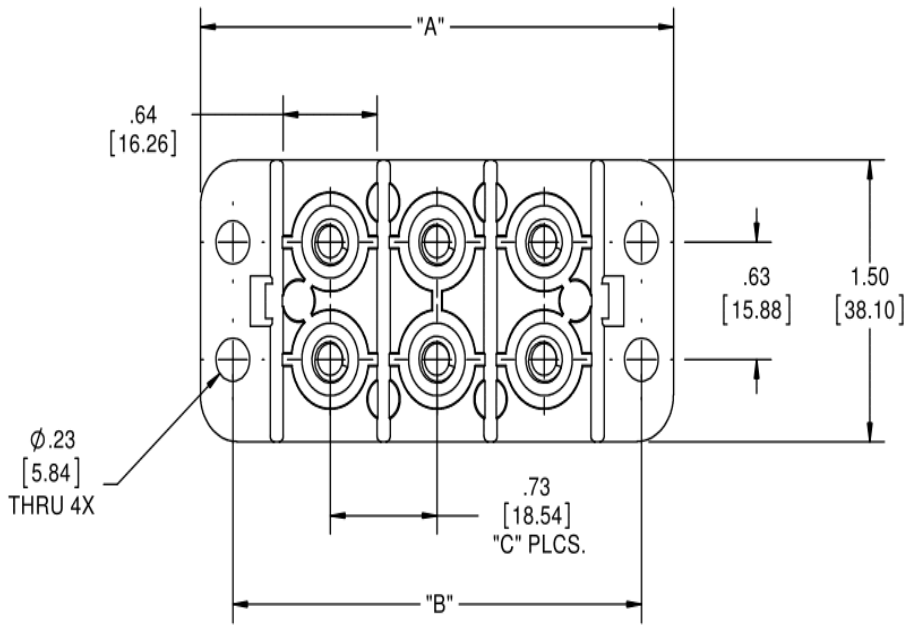


	"P"	
1-Line	.62	15.7
2-Line	1.35	34.3
3-Line	2.08	52.8
4-Line	2.81	71.4
5-Line	3.54	89.9
6-Line	4.27	108.5

# Product Data Sheet



## Drawing



PART #	DIM "A"	DIM "B"	"C"
ST722EM601	1.77 [44.95]	1.32 [33.53]	0
ST722EM602	2.50 [63.5]	2.06 [52.32]	1
ST722EM603	3.23 [82.04]	2.79 [70.87]	2
ST722EM604	3.96 [100.58]	3.52 [89.41]	3
ST722EM605	4.69 [119.13]	4.25 [107.95]	4
ST722EM606	5.42 [137.67]	4.98 [126.49]	5